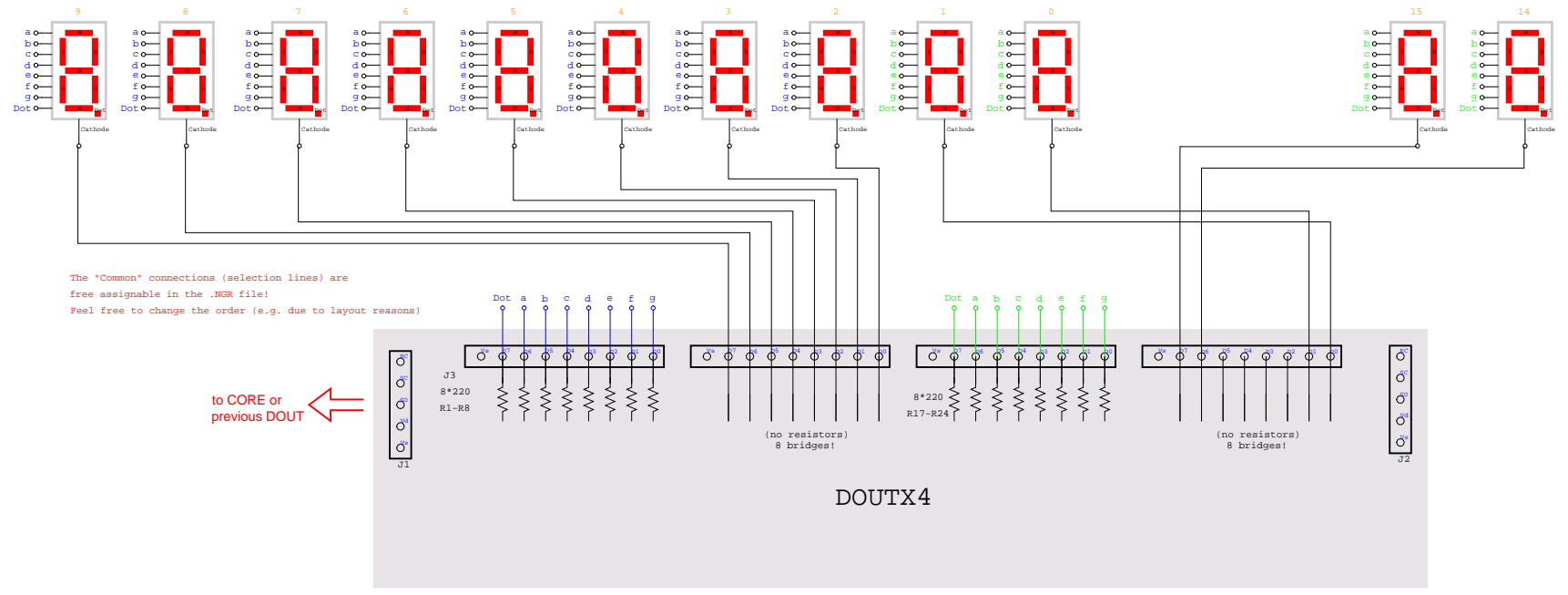


TIME CODE/BBT Display

Status Display

7 Segment LED Digits --- Common Cathode (inverted_sel=1, inverted_row=1)
 or Common Anode (inverted_sel=0, inverted_row=0)



The *Common* connections (selection lines) are free assignable in the .NGR file!
 Feel free to change the order (e.g. due to layout reasons)

to CORE or previous DOUT

MIDbox Hardware Platform
 MIDbox NG LED Digits Example
 (C) T. Klose 2013-04-05